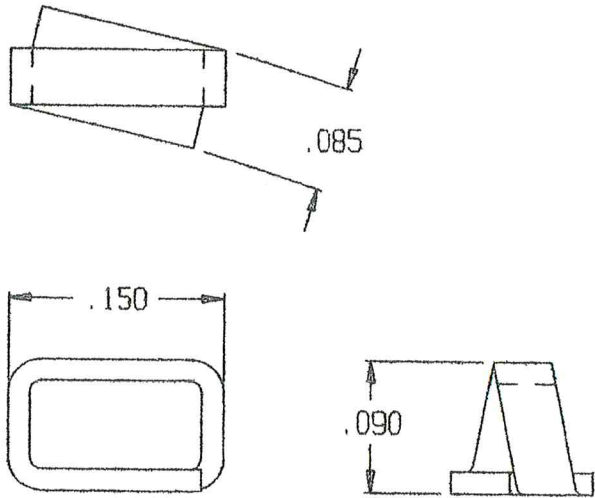


# TP-107 Contacts



## Ordering Information

Example:

**TP-107 - 02 - 1 - T**

The diagram shows four contact symbols corresponding to the ordering code: a dark rectangle with a white circle (TP-107), a dark square with a white circle (02), a dark square with a white circle (1), and a dark square with a white circle (T).

Example:

**TP-107 - 02 - 1 - S**

The diagram shows four contact symbols corresponding to the ordering code: a dark rectangle with a white circle (TP-107), a dark square with a white circle (02), a dark square with a white circle (1), and a dark square with a white circle (S).

● **Series Designation:**  
TP-107

● **Packaging:**  
01 = Bulk Packaging  
02 = Tape & Reel

● **Quantity Per Reel:**  
1 = 1,000 pieces  
5 = 5,000 pieces

● **Finish:**  
T = Matte Tin over Nickle  
S = Silver over Copper