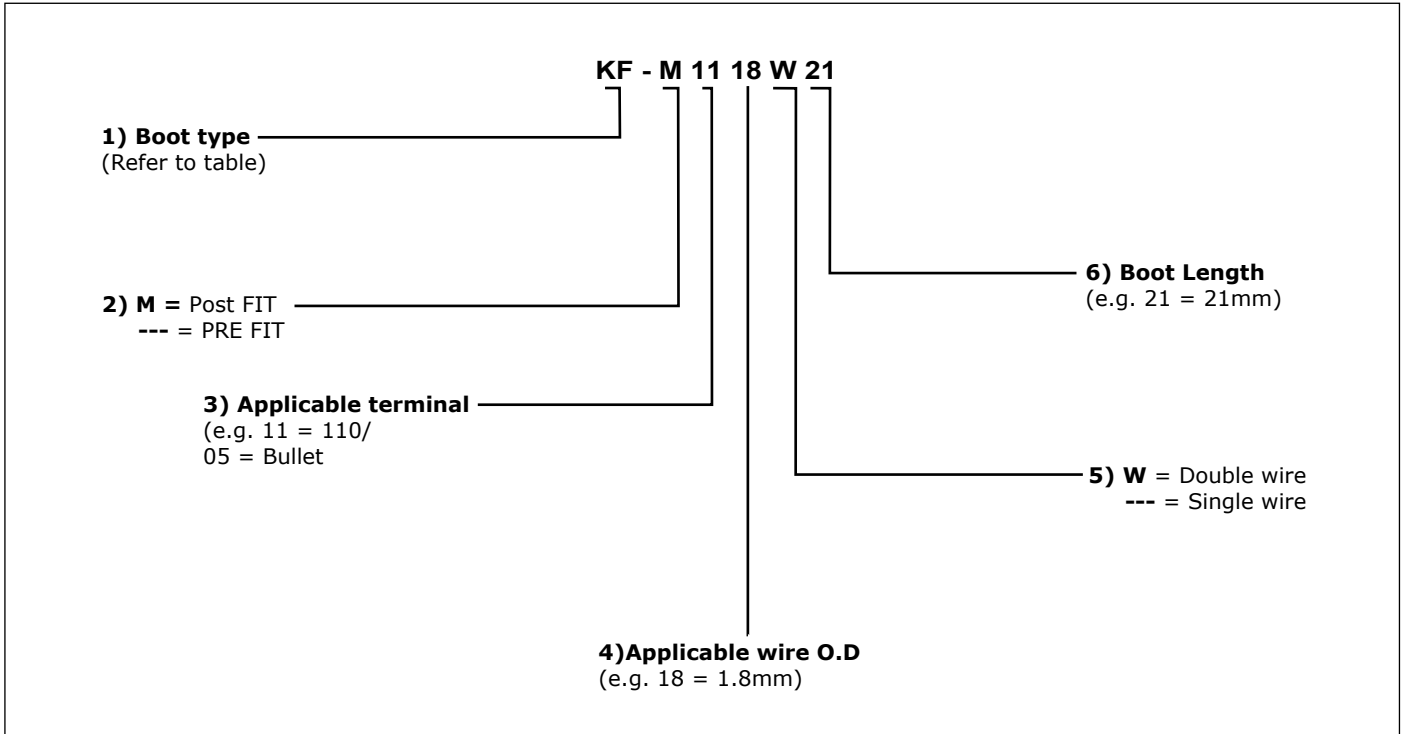




INSULATION SLEEVES

Model number identification



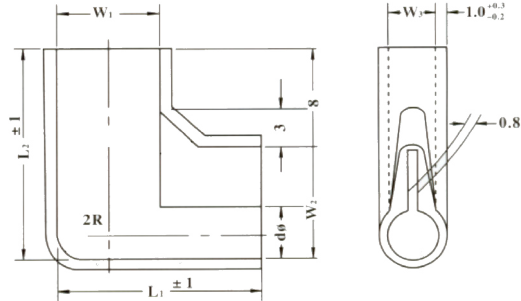
Boot Type				
Part Name	KF/KFH/KFO	KFF/KFFH/KFFO	KP/KPH/KPO	KS/KSH/KSO
Applicable Terminals	STRAIGHT Terminals (e.g. STO)	FLAG Terminals (e.g. SFO)	MALE BULLET Terminals (e.g. SGM)	FEMALE BULLET Terminals (e.g. SGF)

Material Data			
Part Name	KF/KFF/KS/KP	KFH/KFFH/KSH/KPH	KFO/KFFO/KSO/KPO
Material Type	PVC SH-108VT	PVC X-731TJ	PVC No. 4
Burn Rate	JIS K7201	UL94V-2	UL94V-0
Max. Voltage Rating	300 V	600 V	600 V
Temperature Range	-40°C ~ 60°C	-30°C ~ 105°C	-30°C ~ 60°C
Max. Voltage	17.1 KV	13.7 KV	25.8 KV
Durability (10KV)	3.00 Seconds	3.00 Seconds	12.00 Seconds
Max. Elongation	400%	310%	220%
Harness (Durometer A Type)	63 ~ 65	63 ~ 65	67 ~ 70
UL Card No.	E64155 (S)	E64155 (S)	E64155 (S)



INSULATION SLEEVES

Flag Type <KFF-M Version>

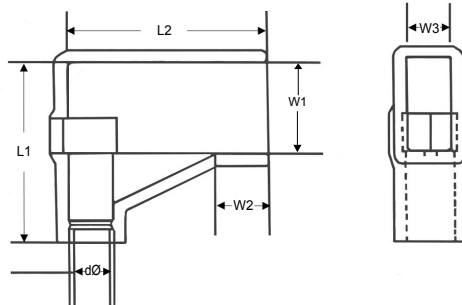


E64155 (S)

Model No.	Dimensions(mm)						Wire O.D. (mm)
	dØ	W1	W2	W3	L1	L2	
KFF-M183014	3.0	5.7	7	2.3	16+/-1	14+/-1	2.0 ~ 3.5
KFF-M254017	4.0	8	9	3.5	16+/-1	17+/-1	2.0 ~ 4.7

Note: 1) Delivery lead times may vary depending on the product. Contact JST for details, these products are ONLY available from the following JST affiliates: J.S.T. (U.K.) Ltd, J.S.T. Belgium N.V., J.S.T. India Liaison Office, and JST-SouthAfrica.com.
 2) In line with a policy of continual product development, JST reserves the right to change the specifications of the goods described in the catalogue At any time and without prior notice.

Flag Type <KFF-187 Version>



E64155 (S)

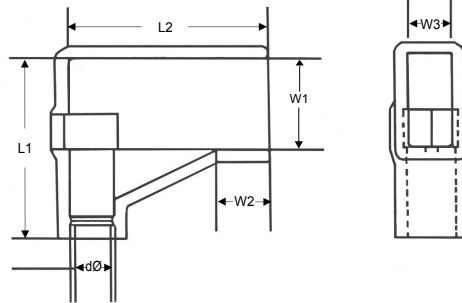
Model No.	Dimensions(mm)						Wire O.D. (mm)
	dØ	W1	W2	W3	L1	L2	
KFF-182517	2.5	5.7	~	2.3	14+/-1	17+/-1	~
KFF-183217	3.2	5.7	~	2.3	14+/-1	17+/-1	~

Note: 1) Delivery lead times may vary depending on the product. Contact JST for details, these products are ONLY available from the following JST affiliates: J.S.T. (U.K.) Ltd, J.S.T. Belgium N.V., J.S.T. India Liaison Office, and JST-SouthAfrica.com.
 2) In line with a policy of continual product development, JST reserves the right to change the specifications of the goods described in the catalogue At any time and without prior notice.



INSULATION SLEEVES

Flag Type <KFF-250 Version>



E64155 (S)

Model No.	Dimensions(mm)						Wire O.D. (mm)
	dØ	W1	W2	W3	L1	L2	
KFF-252517	2.5	8	4.5	3.5	16+/-1	17+/-1	2.0~2.4
KFF-253017	3.0	8	4.5	3.5	16+/-1	17+/-1	~
KFF-253217	3.2	8	4.5	3.5	16+/-1	17+/-1	2.5~3.1
KFF-253817	3.8	8	4.5	3.5	16+/-1	17+/-1	3.2~3.7
KFF-254017	4.0	8	~	3.5	16+/-1	17+/-1	~
KFF-254817	4.8	8	4.5	3.5	16+/-1	17+/-1	3.8~4.7

Note: 1) Delivery lead times may vary depending on the product. Contact JST for details, these products are ONLY available from the following JST affiliates: J.S.T. (U.K.) Ltd, J.S.T. Belgium N.V., J.S.T. India Liaison Office, and JST-SouthAfrica.com.
 2) In line with a policy of continual product development, JST reserves the right to change the specifications of the goods described in the catalogue At any time and without prior notice.