

Specifications

Description AJP26A

Unshielded
6 positions

Technical Data AJP26A

Electrical: UL applications: 250 volts AC max at 2 amps

Dielectric withstanding voltage: 500 volts AC

Insulation resistance: 500 megohms

Termination: resistance 35 milliohms max after environmental testing

Mechanical: Cable-to-plug tensile strength: 20lbs min

Durability: 2000 mating cycles

Material & Finish: Housing: polycarbonate, UL94V-2

Color: clear

Contact: high strength copper alloy
50u" Au plating over 100u" nickel in contact area

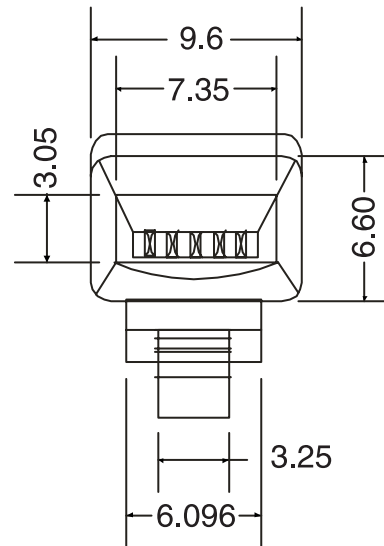
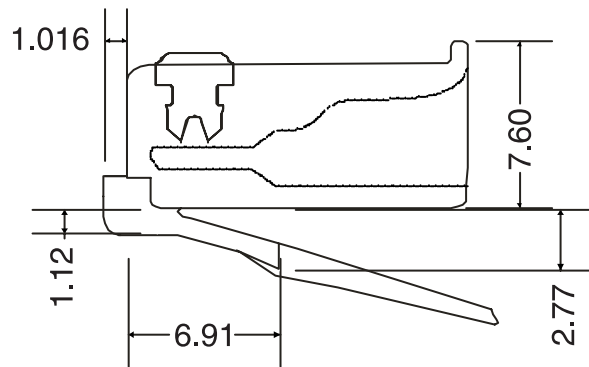
Conductor: stranded, 24, 26, 28 AWG

Ordering Information

AJP26A 6 6 2 3 - 1 2 1

Type Positions Contacts Wire Type Plating
2=Round 3=30u"

1=Stranded Wire
2=94V2 Plastic Type
1=Long Body



RIA CONNECT	P/N: AJP26A6623-121
Desc.: Unshielded plug	
Date: 4-13-06	Drawn By: Donna Mears
Dimensions in mm	Verified By: Mike Balekdjian