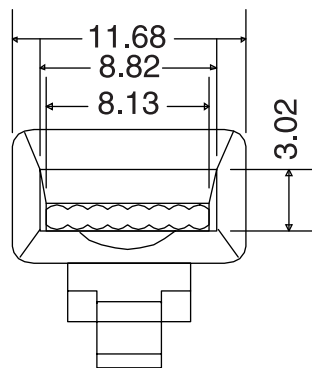


Flat



Round

Specifications

Description AJP25A

Unshielded
8 positions

Technical Data AJP25A

Electrical: UL applications: 250 volts AC max at 2 amps

Dielectric withstanding voltage: 500 volts AC

Insulation resistance: 500 megohms

Termination: resistance 35 milliohms max after environmental testing

Mechanical: Cable-to-plug tensile strength: 20lbs min

Durability: 2000 mating cycles

Material & Finish: Housing: polycarbonate, UL94V-2

Color: clear

Contact: high strength copper alloy
50u" Au plating over 100u" nickel in contact area

Conductor: stranded & solid wire, 24, 26, 28 AWG

Ordering Information

| | | | | | | | | |
|--------|-----------|----------|-------------------|--|---|---|---|---|
| AJP25A | 8 | 8 | X | 3 | - | 1 | 2 | 5 |
| Type | Positions | Contacts | Wire Type | Plating | | | | |
| | | | 1=Flat 2=Round | 3=30u" | | | | |
| | | | | 1=Stranded Wire 2=94V2 Plastic Type 5=Short Body | | | | |

| | |
|-----------------------------------|---|
| RIA CONNECT | P/N: AJP25A88X3-125 |
| Desc.: Unshielded plug, CAT 5e | |
| Date: 4-13-06 Dimensions in mm | Drawn By: Donna Mears Verified By: Mike Balekdjian |