

Technical specification:

Rated voltage: 30 V
IEC 61076-2-101

Current rating: 2 A at 40°C
IEC 61076-2-101

Insulation resistance: >=100 MΩ
IEC 60512

Pollution degree: 3/2
IEC 60664-1

Degree of protection: IP 67, in mated condition
IEC 60529

Temperature range: -30°C ... +105°C

Mating cycles: >=100
IEC 60512-9a

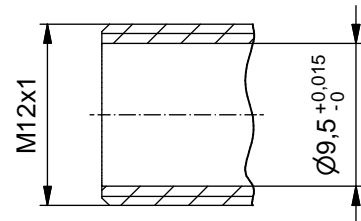
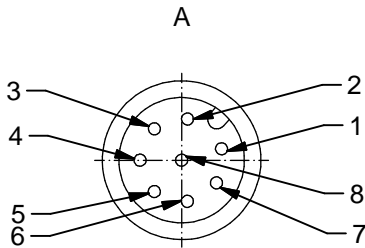
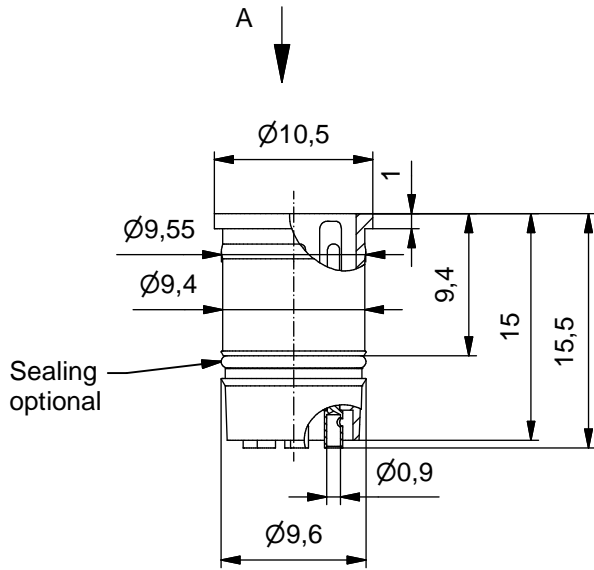
Materials:

Contact: CuZn

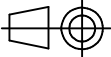

Contact plating: Nickel, gold plated

Contact carrier: PA GF, UL 94, like RAL 9005

Sealing: FPM



Part no:	Description:	Pos	Construction:
43-01637	SAL - 12 - ES8 - L	8	without sealing
43-01638	SAL - 12 - ESO8 - L	8	with sealing

DO NOT ALTER CAD DRAWING BY HAND Directive 2011/65/EU RoHS compliant	Index: c 07.08.13 fro Ä4867 colour changed	 dim. in mm	title: Panel plug M12x1 with soldering version			
					date	name
		drawn			30.09.10	Franz
		appd.			30.09.10	Mankopf
	general tolerance: 0 ± 0,50mm 0,0 ± 0,25mm 0,00 ± 0,10mm		dwg no: 43K1A1176			
THIS DRAWING MAY NOT BE COPIED OR REPRODUCED IN ANY WAY, AND MAY NOT BE PASSED ON TO A THIRD PARTY WITHOUT WRITTEN PERMISSION. OWNERSHIP AND COPYRIGHT OF CONEC GmbH			part no:			