

**Technical specification:**

Rated voltage: 30 V AC / 30 V DC  
IEC 61076-2-104

Current rating: 3 A at 40°C  
IEC 61076-2-104

Insulation resistance: >=100 MΩ  
IEC 60512

Pollution degree: 3  
IEC 60664-1

Degree of protection: IP 67, in mated condition  
IEC 60529

Temperature range: -25°C ... +95°C  
EN 60512-11-10  
-40°C ... +85°C  
EN 60512-11-4

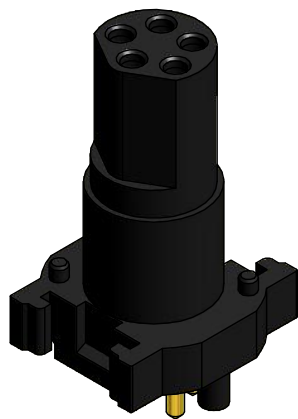
Mating cycles: >=100  
IEC 60512-9a

**Materials:**

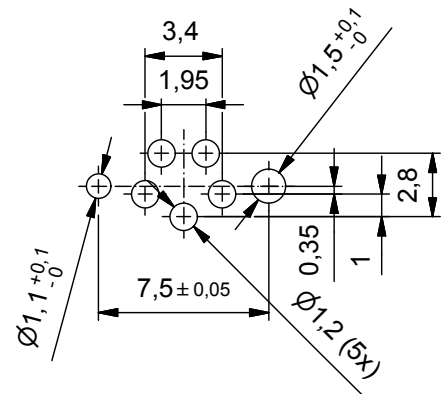
Contact: CuZn, Ni b / Au 0,2 gal.

Contact carrier: LCP GF, UL 94 V-0

Suitable for reflow soldering  
max. 60s / 250°C



**Layout proposal**



| Part no. packing unit Tape & Reel: | Part no. packing unit in bulk: | Description:        | Pos |
|------------------------------------|--------------------------------|---------------------|-----|
| 42-01397TR                         | 42-01397                       | SAL - 8 - IK5 / THR | 5   |

|  |  |                |                     |
|--|--|----------------|---------------------|
| DO NOT ALTER CAD DRAWING BY HAND<br>RoHS & REACH compliant   | Index: b 25.04.16 CS Ä6101<br>Change of tolerance in mating face | dim. in mm     |                     |
|  |  | date           | name                |
|  |  | drawn          | 20.02.15<br>Gitinow |
|  |  | appd.          | 20.03.15<br>Schramm |
| general tolerance:   | 0 ± 0,50mm<br>0,0 ± 0,25mm<br>0,00 ± 0,10mm<br>* ± 5°            | <b>CONEC</b> ® |                     |
| THIS DRAWING MAY NOT BE COPIED OR REPRODUCED IN ANY WAY, AND MAY NOT BE PASSED ON TO A THIRD PARTY WITHOUT WRITTEN PERMISSION. OWNERSHIP AND COPYRIGHT OF CONEC GmbH |  |                |                     |

|          |                                 |
|----------|---------------------------------|
| title:   | Insulating body female M8x1 THR |
| dwg no:  | 42K1A923                        |
| part no: | see table                       |