

# Data Sheet

## RP033xxVBLC

Page 1/5

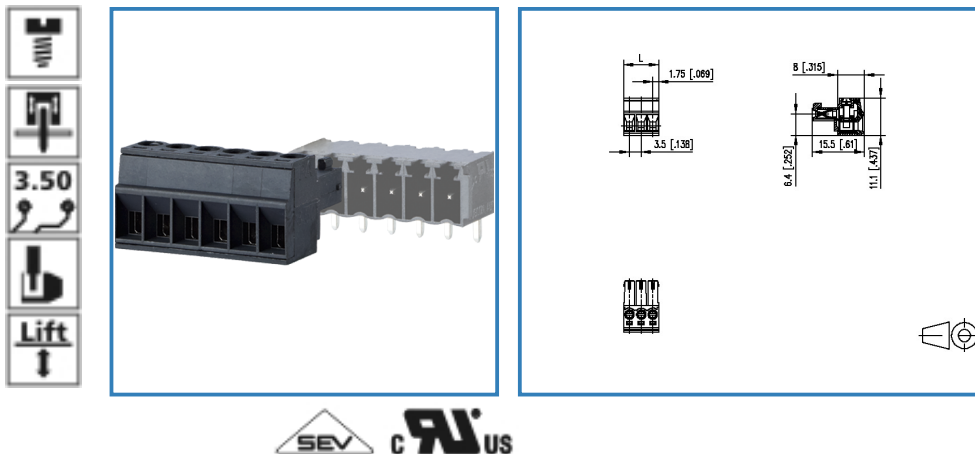
P/N

313391xx

xx=number of poles

2017/01/24

### Illustration



see enlarged drawing at the end of the document

### Product specification

- screw type terminal block, pluggable
- centerline 3.50 mm, direction of connection vertical 0°
- lift system, fittable without loss of poles
- color black
- wire entry codeable side perpendicular to plug direction



METZ CONNECT GmbH

Im Tal 2 | 78176 Blumberg | Germany | [www.metz-connect.com](http://www.metz-connect.com)

Phone +49 7702 533-0 | Fax +49 7702 533-433

Montageanleitung / Mounting instruction siehe / see [www.metz-connect.com](http://www.metz-connect.com)

Members of METZ CONNECT



# Data Sheet

## RP033xxVBLC

### Technical Data

#### General Data


Tightening torque SEV	0.25 Nm		
Tightening torque UL	3 lb-in		
min. number of poles	2		
max. number of poles	12		
Insulating material class	CTI 600		
clearance/creepage dist.	2.2 mm		
protection category	IP 20		
Overvoltage category	III	III	II
Pollution degree	3	2	2
Rated voltage	160 V	400 V	400 V
Rated test voltage	2.5 kV	2.5 kV	2.5 kV

#### Connection data

Rated wiring solid wire	0.08 - 1.5 mm <sup>2</sup> / AWG 28 - 16		
Rated wiring stranded wire	0.08 - 1.5 mm <sup>2</sup> / AWG 28 - 16		

#### Approvals

 V / A / AWG	300 / 8 / 28 - 16		
--	-------------------	--	--

	9 A / 125 V / 2.5 kV / 3 / IEC 61984 / 0.08 - 1.5 mm <sup>2</sup>		
--	---	--	--

#### Material

insulating material	PA66		
flammability class	V0		
contact material	CuSn		
Glow-Wire Flammability GWFI	960		
Glow-Wire Flammability GWIT	775		
contact surface	Sn		
terminal body material	CuZn		
terminal body surface	Ni		
screw surface	Cu + Ni		
screw thread	M2		

#### Climatic properties

upper limit temperature	105 °C		
lower limit temperature	-40 °C		

# Data Sheet

## RP033xxVBLC

Page 3/5

P/N

313391xx

xx=number of poles

2017/01/24

### General

---

Tolerance	ISO 2768 -mH
-----------	--------------

---



# Data Sheet

## RP033xxVBLC

Page 4/5

P/N

313391xx

xx=number of poles

2017/01/24

### Matching Part

P/N	Product name
311881	PR043xxHBBN Typ 188
311891	PR043xxVBBN Typ 189
313421	PT093xxHBBN Typ 342
313431	PT093xxVBBN Typ 343



# Data Sheet

## RP033xxVBLC

Page 5/5

P/N

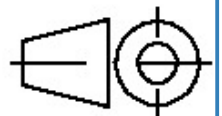
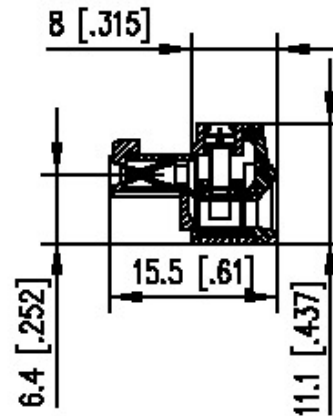
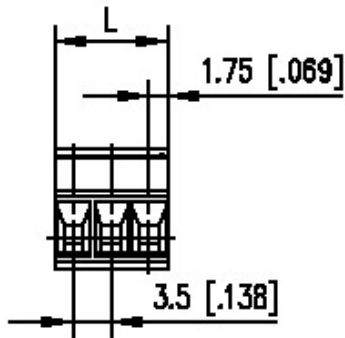
313391xx

xx=number of poles

2017/01/24

### Illustration

#### Drawing



$L = (\text{pole size} - 1) \times \text{centerline} + 3.5 [0.138]$

