

# Data Sheet

## RP036xxHBLF

Page 1/5

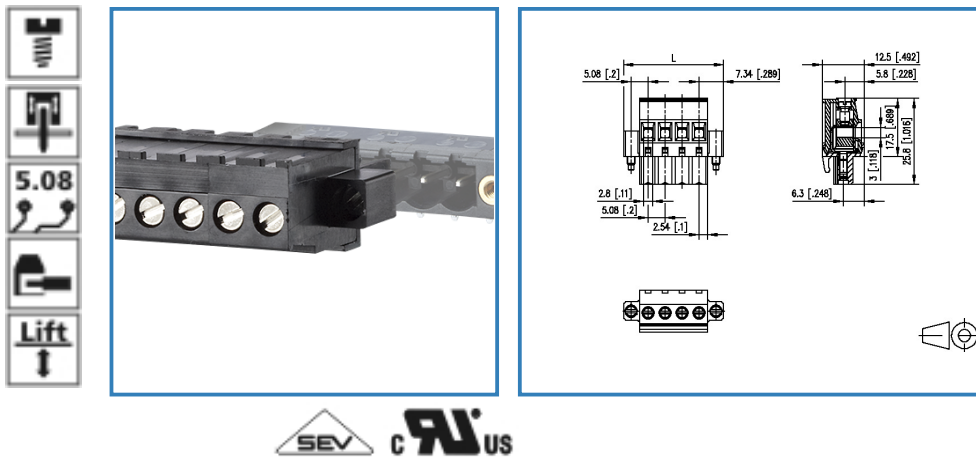
P/N

312171xx

xx=number of poles

2017/01/25

### Illustration



see enlarged drawing at the end of the document

### Product specification

- screw type terminal block, pluggable
- centerline 5.08 mm, direction of connection 90°
- lift system
- color black, mounting flange
- wire entry uncodeable side perpendicular to plug direction



# Data Sheet

## RP036xxHBLF

Page 2/5

P/N

312171xx

xx=number of poles

2017/01/25

### Technical Data

#### General Data

Tightening torque SEV	0.5 Nm		
Tightening torque UL	4.5 lb-in		
min. number of poles	2		
max. number of poles	12		
Insulating material class	CTI 600		
clearance/creepage dist.	3.2 mm		
protection category	IP 20		
Overvoltage category	III	III	II
Pollution degree	3	2	2
Rated voltage	250 V	630 V	630 V
Rated test voltage	4.0 kV	4.0 kV	4 kV


#### Connection data

Rated wiring solid wire	0.08 - 4 mm <sup>2</sup> / AWG 28 - 12		
Rated wiring stranded wire	0.08 - 2.5 mm <sup>2</sup> / AWG 28 - 12		

#### Approvals

extended wiring UL	2 AWG 16-18, or 1 AWG 16 stranded with 1 AWG 18 solid, or 1 AWG 16 stranded with 1 AWG 18 stranded		
--------------------	--	--	--

 V / A / AWG	300 / 12 / 28 - 12		
--	--------------------	--	--

	13.5 A / 320 V / 4 kV / 3 / IEC 61984 / 0.08 - 2.5 mm <sup>2</sup>		
--	---	--	--

#### Material

insulating material	PA66
flammability class	V0
contact material	CuSn
Glow-Wire Flammability GWFI	960
Glow-Wire Flammability GWIT	775
contact surface	Sn
terminal body material	CuZn
terminal body surface	Ni
screw surface	Zn Cr(VI)-frei/free
screw thread	M3

#### Climatic properties

upper limit temperature	105 °C
lower limit temperature	-40 °C

# Data Sheet

## RP036xxHBLF

Page 3/5

P/N

312171xx

xx=number of poles

2017/01/25

### General

---

Tolerance	ISO 2768 -mH
-----------	--------------

---



# Data Sheet

## RP036xxHBLF

Page 4/5

P/N

312171xx

xx=number of poles

2017/01/25

### Matching Part

P/N	Product name
312351	PT116xxVBBF Typ 235
312361	PT116xxHBBF Typ 236

### Accessories

P/N	Product name
700025-01-9	700025



# Data Sheet

## RP036xxHBLF

Page 5/5

P/N

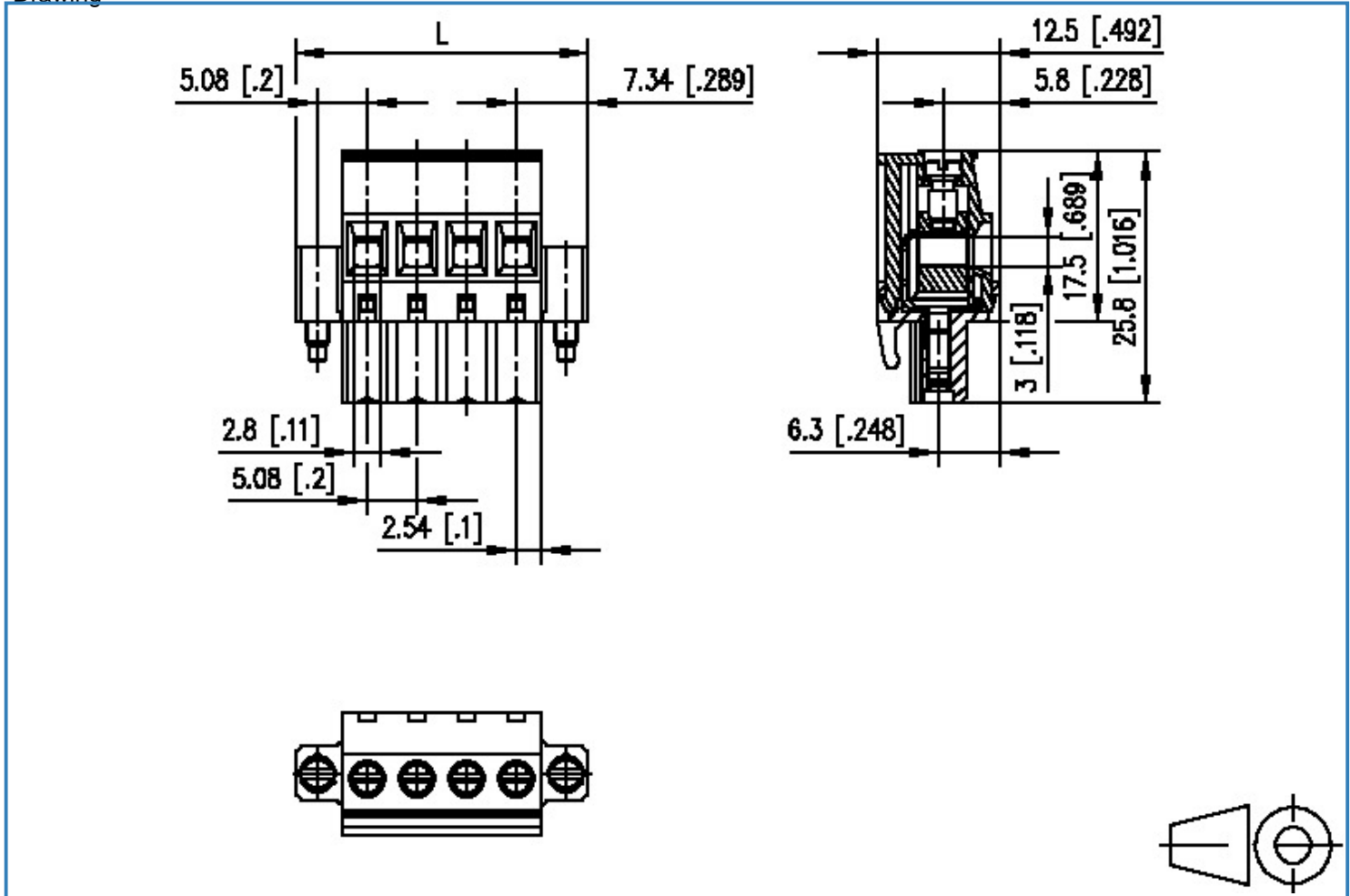
312171xx

xx=number of poles

2017/01/25

### Illustration

Drawing



$$L = (\text{pole size} - 1) \times \text{centerline} + 14.68 [0.578]$$