

Data Sheet

RP036xxHBLD

(Type 214)

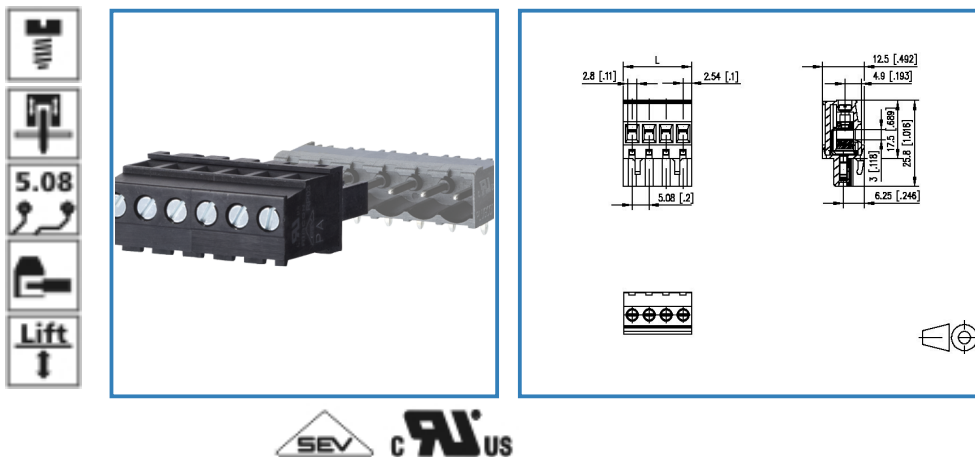
Page 1/5

Order Number

312141xx

xx=number of poles

Illustration



see enlarged drawing at the end of the document

Product specification

- screw type terminal block, pluggable
- centerline 5.08 mm, direction of connection 90°
- lift system, fittable without loss of poles
- color black
- wire entry codeable side perpendicular to plug direction
- Connection data

CR US V / A / AWG 300 / 12 / 28 - 12

SEV 0.08 - 2.5 mm² 320 V / 4 kV / 13.5 A

Data Sheet

RP036xxHBLD

(Type 214)

Page 2/5

Order Number

312141xx



xx=number of poles

Technical Data

General Data

| | | | |
|---------------------------|-----------|-------|-------|
| Tightening torque SEV | 0.5 Nm | | |
| Tightening torque UL | 4.5 lb-in | | |
| min. number of positions | 2 | | |
| max. number of positions | 24 | | |
| Insulating material class | CTI 600 | | |
| clearance/creepage dist. | 3.2 mm | | |
| protection category | IP 20 | | |
| Overvoltage category | III | III | II |
| Pollution degree | 3 | 2 | 2 |
| Rated voltage | 250 V | 630 V | 630 V |
| Stossspannung | 2.5 kV | 6 kV | 4 kV |

Connection data

| | |
|---|-----------------------|
|  V / A / AWG | 300 / 12 / 28 - 12 |
|  0.08 - 2.5 mm ² | 320 V / 4 kV / 13.5 A |

Material

| | |
|---------------------|------|
| insulating material | PA66 |
| flammability class | V0 |

Data Sheet

RP036xxHBLD

(Type 214)

Page 3/5

Order Number

312141xx

xx=number of poles

| | |
|------------------------|---------|
| terminal body material | CuZn |
| terminal body surface | Ni |
| screw surface | Cu + Ni |
| screw thread | M3 |

Climatic properties

| | |
|-------------------------|--------|
| upper limit temperature | 105 °C |
| lower limit temperature | -40 °C |

General

| | |
|-----------|--------------|
| tolerance | ISO 2768 -mH |
|-----------|--------------|

Matching Part

| | |
|--------|----------|
| 311781 | Type 178 |
| 312191 | Type 219 |
| 312201 | Type 220 |
| 312291 | Type 229 |
| 312301 | Type 230 |
| 312861 | Type 286 |
| 312881 | Type 288 |
| 314781 | Typ 478 |

Data Sheet

RP036xxHBLD

(Type 214)

Page 4/5

Order Number

312141xx

xx=number of poles

314791

Typ 479

Matching Part to

312861

Type 286

312881

Type 288

Accessories

70025-01-9

Kodierstern weiß

Data Sheet

RP036xxHBLD

(Type 214)

Page 5/5

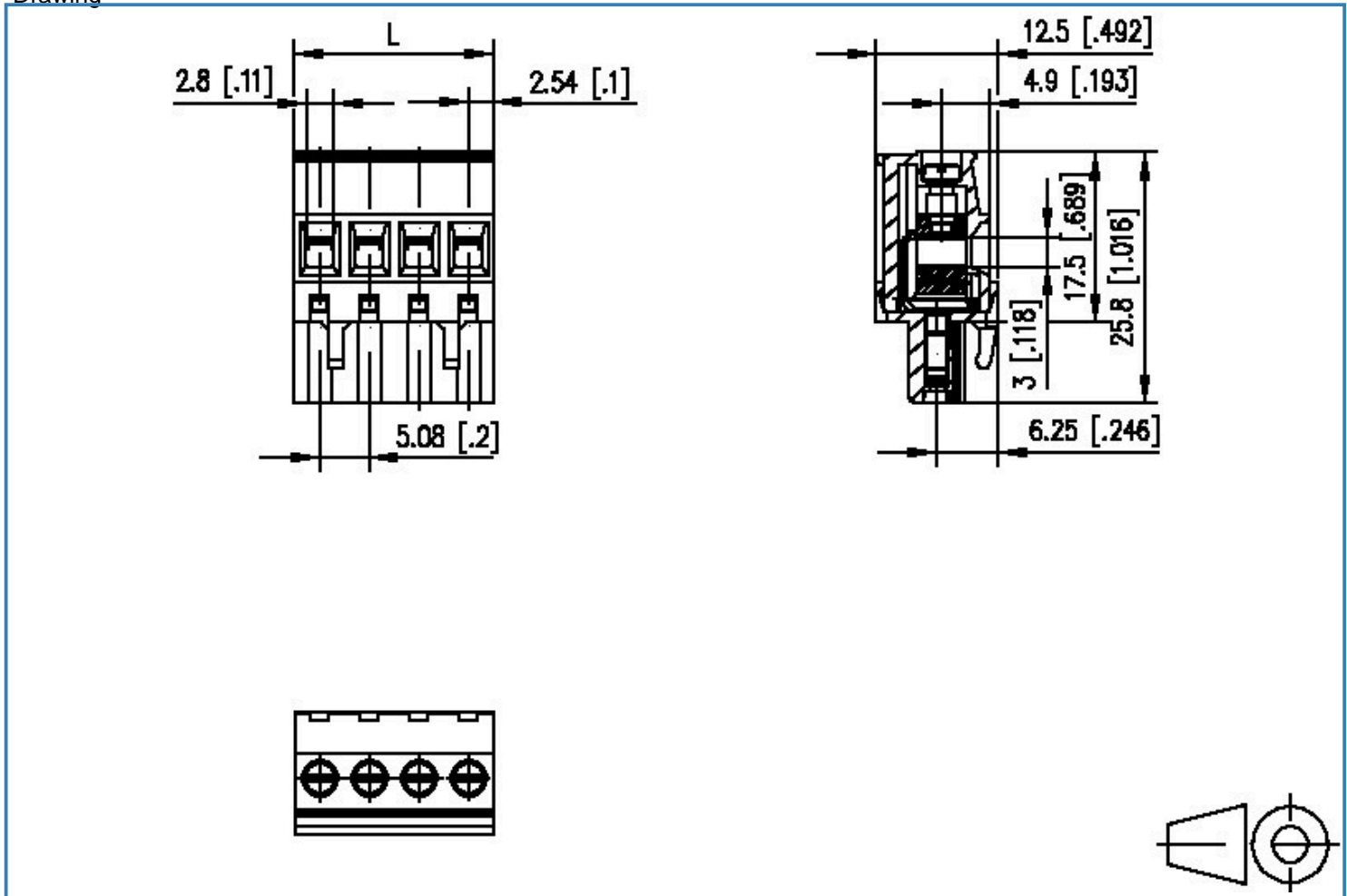
Order Number

312141xx

xx=number of poles

Illustration

Drawing



$$L = (\text{pole size} - 1) \times \text{centerline} + 5.08 [0,200]$$