

# Data Sheet

## PT113xxHBBN

(Type 182)

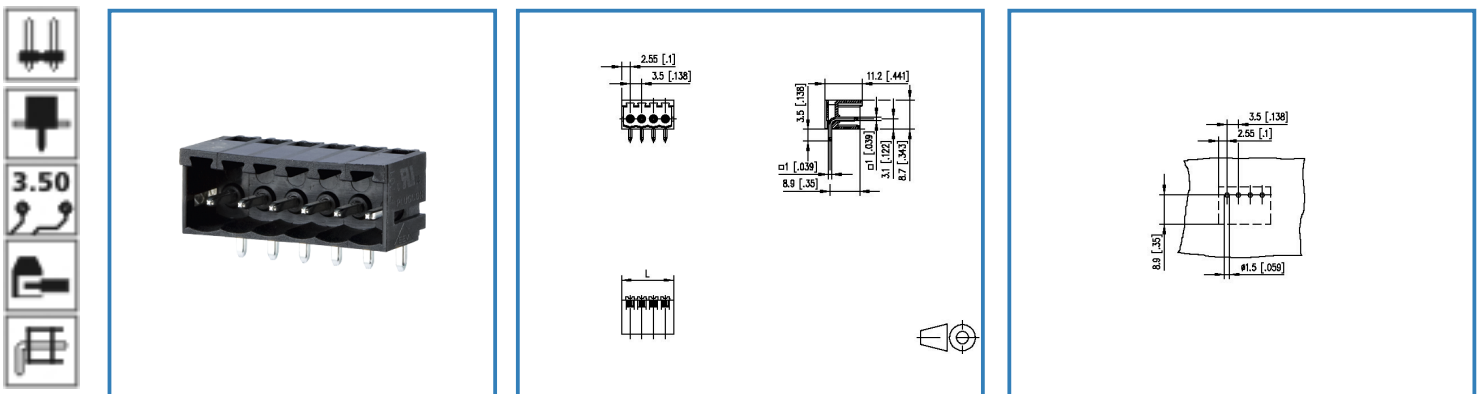
Page 1/5

Order Number

311821xx

xx=number of poles

### Illustration



see enlarged drawing at the end of the document

### Product specification

- pin header, solderable
- centerline 3.50 mm, direction of connection 90°
- closed ends
- color black
- codeable
- Connection data

**CRIUS** V / A 300 / 10

**SEV** 125 V / 2.5 kV / 6 A

# Data Sheet

## PT113xxHBBN

(Type 182)

Page 2/5

Order Number

311821xx



xx=number of poles

### Technical Data

#### General Data

|                           |         |       |        |
|---------------------------|---------|-------|--------|
| Solder pin length         | 3.5 mm  |       |        |
| min. number of positions  | 2       |       |        |
| max. number of positions  | 18      |       |        |
| Insulating material class | CTI 600 |       |        |
| clearance/creepage dist.  | 2.5 mm  |       |        |
| protection category       | IP 00   |       |        |
| Overvoltage category      | III     | III   | II     |
| Pollution degree          | 3       | 2     | 2      |
| Rated voltage             | 200 V   | 500 V | 500 V  |
| Stossspannung             | 2.5 kV  | 4 kV  | 2.5 kV |

#### Connection data

|  |                      |
|--|----------------------|
|  V / A | 300 / 10             |
|        | 125 V / 2.5 kV / 6 A |

#### Material

|                      |      |
|----------------------|------|
| insulating material  | PA66 |
| flammability class   | V0   |
| contact pin material | CuFe |

# Data Sheet

## PT113xxHBBN

(Type 182)

Page 3/5

Order Number

311821xx

xx=number of poles

|                     |         |
|---------------------|---------|
| contact pin surface | Ni + Ag |
|---------------------|---------|

### Climatic properties

|                         |        |
|-------------------------|--------|
| upper limit temperature | 105 °C |
|-------------------------|--------|

|                         |        |
|-------------------------|--------|
| lower limit temperature | -40 °C |
|-------------------------|--------|

### General

|               |  |
|---------------|--|
| solderability | For THR products acc. to IPC/JEDEC J-STD-020D-MSL 1   For THT products max. 260°C / 10sec. |
|---------------|--|

|           |              |
|-----------|--------------|
| tolerance | ISO 2768 -mH |
|-----------|--------------|

### Matching Part to

|        |          |
|--------|----------|
| 311691 | Type 169 |
|--------|----------|

### Accessories

|             |                    |
|-------------|--------------------|
| 720243-01-3 | Kodierstern orange |
|-------------|--------------------|

|             |                  |
|-------------|------------------|
| 720243-02-4 | Kodierstern grau |
|-------------|------------------|

# Data Sheet

## PT113xxHBBN

(Type 182)

Page 4/5

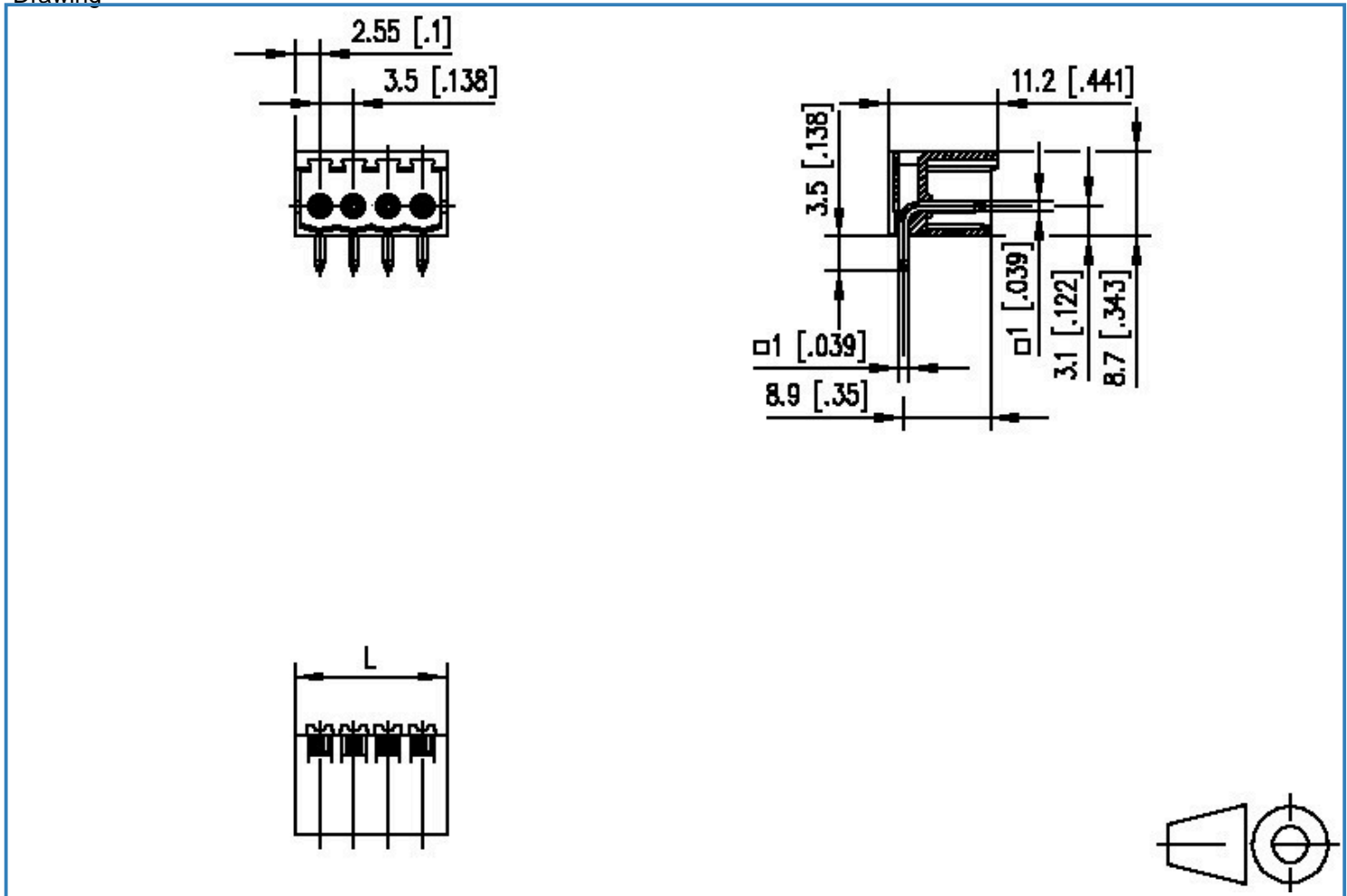
Order Number

311821xx

xx=number of poles

### Illustration

Drawing



$$L = (\text{pole size} - 1) \times \text{centerline} + 5.1 [0,138]$$

# Data Sheet

## PT113xxHBBN

(Type 182)

Page 5/5

Order Number

311821xx

xx=number of poles

### PCB Layout

