

# Data Sheet

## RP034xxHBLO

(Type 113)

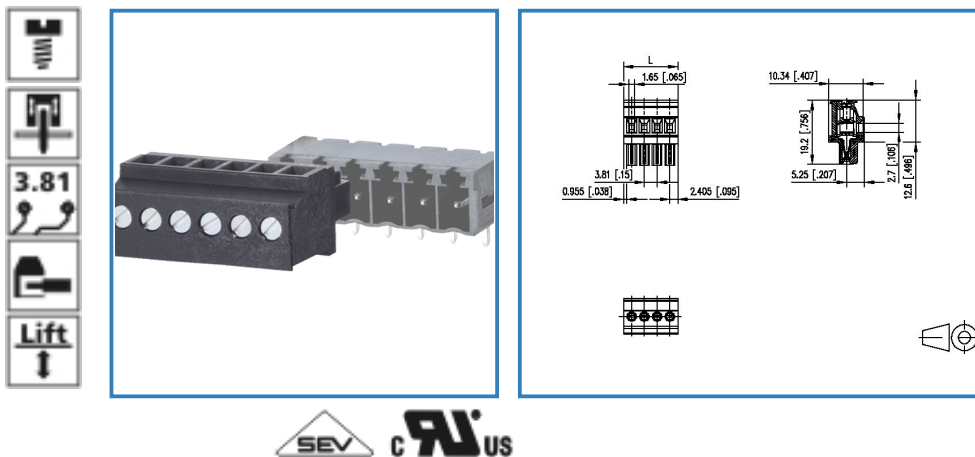
Page 1/4

Order Number

311131xx

xx=number of poles

### Illustration



see enlarged drawing at the end of the document

### Product specification

- screw type terminal block, pluggable
- centerline 3.81 mm, direction of connection 90°
- lift system
- color black
- wire entry codeable side perpendicular to plug direction
- Connection data

**CRIUS** V / A / AWG 300 / 11 / 28 - 16

**SEV** 0.08 - 1.5 mm<sup>2</sup> 160 V / 2.5 kV / 9 A

# Data Sheet

## RP034xxHBLO

(Type 113)

Page 2/4

Order Number

311131xx



xx=number of poles

### Technical Data

#### General Data

Tightening torque SEV	0.25 Nm		
Tightening torque UL	3 lb-in		
min. number of positions	2		
max. number of positions	21		
Insulating material class	CTI 600		
clearance/creepage dist.	2.9 mm		
protection category	IP 20		
Overvoltage category	III	III	II
Pollution degree	3	2	2
Rated voltage	200 V	500 V	500 V
Stossspannung	2.5 kV	4 kV	2.5 kV

#### Connection data

extended wiring UL	Wire range extended to 14 AWG solid only.		
 V / A / AWG	300 / 11 / 28 - 16		
 0.08 - 1.5 mm <sup>2</sup>	160 V / 2.5 kV / 9 A		

#### Material

insulating material	PA66		
---------------------	------	--	--

# Data Sheet

## RP034xxHBLO

(Type 113)

Page 3/4

Order Number

311131xx

xx=number of poles

flammability class	V0
terminal body material	CuZn
terminal body surface	Ni
screw surface	Cu + Ni
screw thread	M2

### Climatic properties

upper limit temperature	105 °C
lower limit temperature	-40 °C

### General

tolerance	ISO 2768 -mH
-----------	--------------

### Matching Part

311901	Type 190
311911	Type 191
313821	Type 382
313831	Type 383

# Data Sheet

## RP034xxHBLO

(Type 113)

Page 4/4

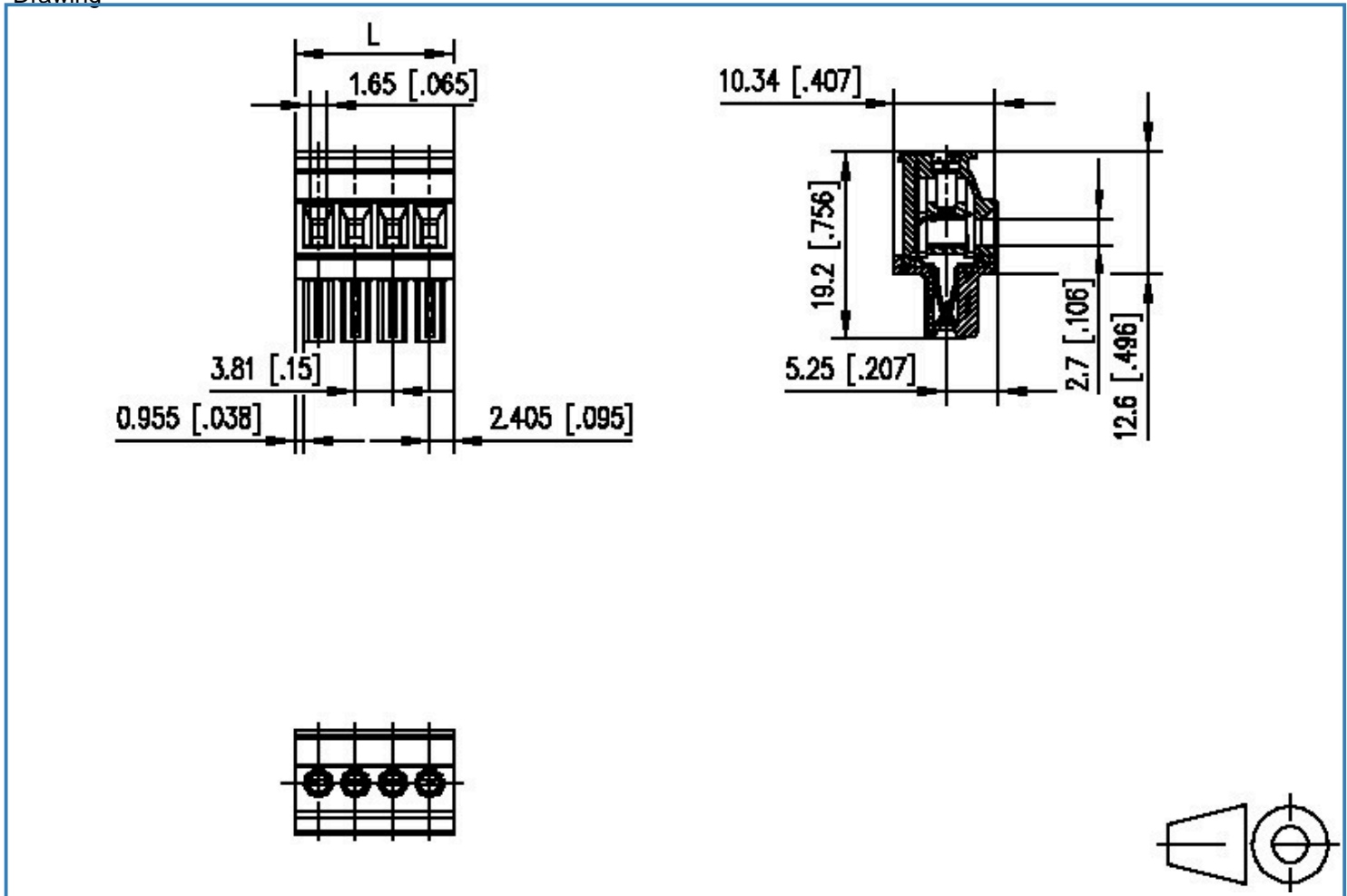
Order Number

311131xx

xx=number of poles

### Illustration

Drawing



$$L = (\text{pole size} - 1) \times \text{centerline} + 4.81 [0,150]$$