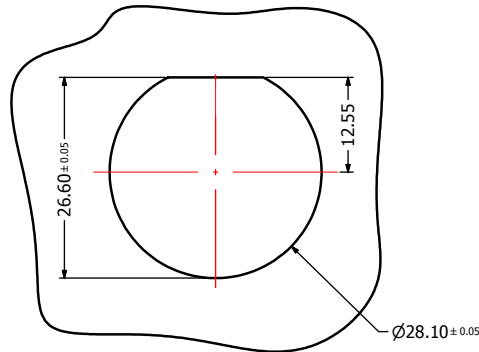


USB 2.0 Type A
Female/Female
Adaptor

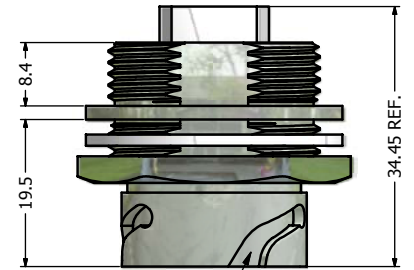
Receptacle Housing
Zinc Die-cast Version
Bayonet Locking Type

Panel Gasket

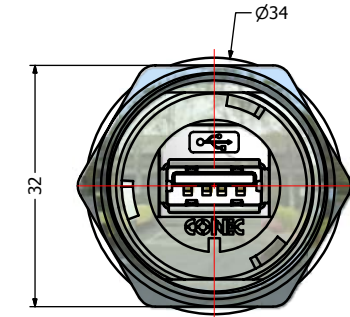
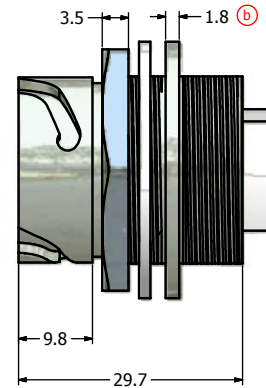
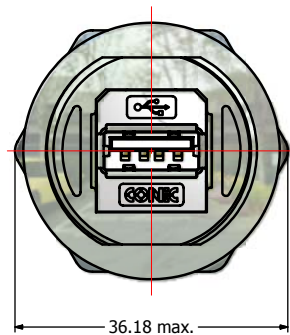
Panel Nut (M28 x 1.5)



Recommended Panel Cutout



Bayonet Channel x 3



Notes:

- Electrical Specifications:
 - Meets USB 2.0 Specification
 - Contact Resistance: 30 mOhm max.
 - Insulation Resistance: 1000 MOhm min. @ 100 VDC
 - Current Rating: 1.5 A max. at 25° C
 - Working Voltage: 30 V (RMS) max.
 - DWV: 500 VAC/60s at sea level
 - Operating Temperature: -40° C to +85° C

2. Material and Finish:

- Receptacle Housing: Zinc Die-Cast, Nickel Plated
- Panel Nut: Brass, Finish: Nickel Plated
- Panel Gasket: Silicone, Color: White
- USB Adaptor Insulator: PBT, UL94 V-0, Black
- USB Adaptor Metal Shell: Copper Alloy, Nickel Plated
- USB Adaptor Overmold material: PBT UL94 V-0, Color: Black
- USB Contacts: Copper Alloy, Finish: 30 u" Gold min. over Nickel

- Connector can be front or rear mounted to a maximum panel thickness of 3.2 mm.
- IP67 rated when fully mated with appropriate mating connector
- RoHS compliant

Pin-Assingment

Type A F	Type A F
Pin1 -----	Pin1
Pin2 -----	Pin2
Pin3 -----	Pin3
Pin4 -----	Pin4
Shell -----	Shell

Directive 2002/95/EC
"RoHS"
Compliant

THIS DRAWING MAY NOT BE COPIED, OR REPRODUCED IN ANY WAY AND MAY NOT BE PASSED ON TO A THIRD PARTY WITHOUT WRITTEN PERMISSION. OWNERSHIP AND COPYRIGHT OF CONEC CORPORATION DOT NOT ALTER CAD DRAWING BY HAND	Customer:			Tolerance Unless otherwise specified			Scale: 1.5:1	Dim. in mm	
	Name	Title	Approval Date	0 PLC ±0.50	1 PLC ±0.38		Autodesk Inventor Material: See Notes IP67 USB Receptacle Assembly Kit with USB 2.0 Type A F/ F Adaptor Zinc die-Cast Version	Drawing No.: 17K1A155 Part No.: 17-200601	DIN A3 Sheet 1/1
				2 PLC ±0.25	3 PLC ±0.10				
				ANGLES ±3°					
	b	May/31/2010	Vincent Ke	2010	Date	Name			
	a	original		Draw.	Mar. 16	Vincent Ke			
	Rev.	Changes	Date	Appd.	Mar. 16	J. Chaudry			
				Norm					
				D-old					

