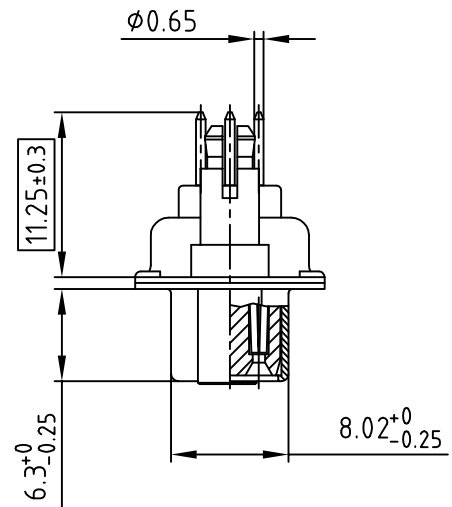
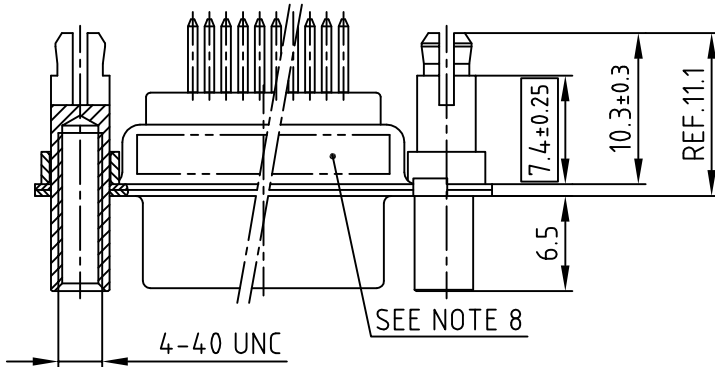
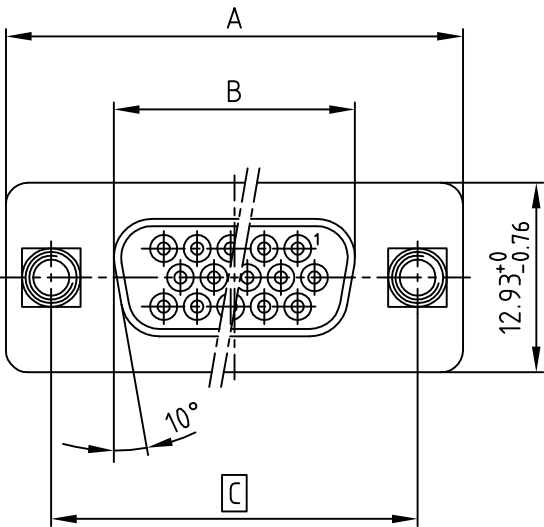


used for: D-SUB HD

POS.	A -0.76	B -0.25	C	Part NO.
15	31.19	16.46	25.00 $\begin{smallmatrix} +0.12 \\ -0.13 \end{smallmatrix}$	164A17459X
26	39.52	24.79	33.30 $\begin{smallmatrix} +0.15 \\ -0.1 \end{smallmatrix}$	164A17469X
62	69.70	54.96	63.50 ± 0.13	164A17489X



NOTES:

- METALSHELLS: STEEL; min. 320 μ " TIN
- INSULATORS: PBT GF UL 94 V-0, BLACK
- CONTACTS: COPPER ALLOY
PLATING: min. 8 μ " HARD GOLD OVER min. 50 μ " NICKEL
- THREADED LOCK: COPPER ALLOY; min. 200 μ " TIN over 80 μ " NICKEL
PCB-HOLE: $\phi 3.1 \pm 0.1$; PCB THICKNESS 1.6mm
- COLLAR: COPPER ALLOY; min. 200 μ " TIN over 80 μ " NICKEL
- P.C.B. HOLE DRILLINGS SEE SHEET 2
- MAXIMUM TORQUE VALUE FOR THREAD: 6" LBS
- CONNECTOR IS PART MARKED: PART-NO. CONEC ABC
- = CRITICAL DIMENSION

APPROVAL # FREIGABE # DEBLOCAGE # AUTORIZACION # APPROVAL	
CUSTOMER APPROVAL DATE:	
NAME:	TITLE:
COMPANY NAME:	
APPROVAL # FREIGABE # DEBLOCAGE # AUTORIZACION # APPROVAL	

THIS DRAWING MAY NOT BE COPIED OR REPRODUCED IN ANY WAY, AND MAY NOT BE PASSED ON TO A THIRD PARTY WITHOUT WRITTEN PERMISSION.
 OWNERSHIP AND COPYRIGHT OF CONEC GmbH
 DO NOT ALTER CAD DRAWING BY HAND

tolerance			
2002	date	name	
drawn	06.09,	Parei	
appd.	06.09.	Mickenbecker	
norm	DIN 41652		
d-old			
rev.	description	date	name

scale:	2:1		
material:	SEE NOTES		
title:	D-SUB HD FEMALE 15-62pos. SOLDER PIN STRAIGHT with threaded lock and spacer clip		
dwg no:	AutoCAD 2000	DIN-A	
	16K2A437A	4	
		sh:1/2	
part no:	SEE TABLE		

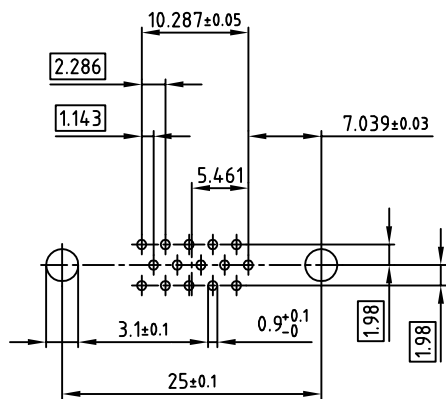
4

3

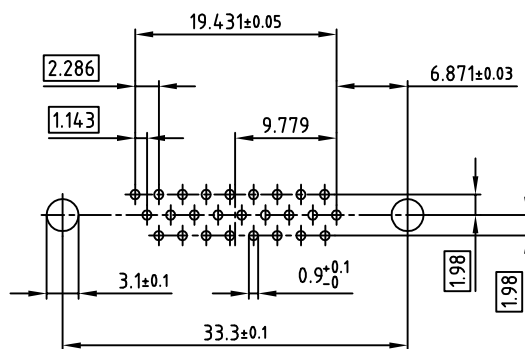
2

1

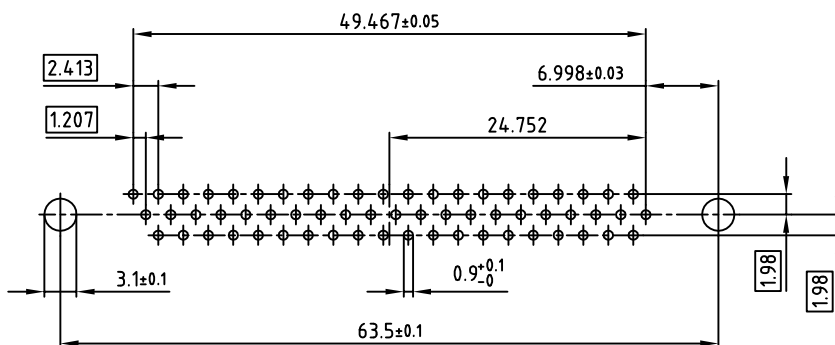
used for: D-SUB HD



15pos.



26pos.



62pos.

APPROVAL # FREIGABE # DEBLOCAGE # AUTORIZACION # APPROVAL	
CUSTOMER APPROVAL DATE:	
NAME:	TITLE:
COMPANY NAME:	
APPROVAL # FREIGABE # DEBLOCAGE # AUTORIZACION # APPROVAL	

THIS DRAWING MAY NOT BE COPIED OR REPRODUCED IN ANY WAY, AND MAY NOT BE PASSED ON TO A THIRD PARTY, WITHOUT WRITTEN PERMISSION. OWNERSHIP AND COPYRIGHT OF CONEC GmbH DO NOT ALTER CAD DRAWING BY HAND

rev.	description	date	name

tolerance		
2002	date	
drawn	09.09.	Parei
appd.	09.09.	Mickenbecker
norm	DIN 41652	
d-old		

scale:	2:1
material:	SEE SHEET 1
title:	P.C.B. HOLE DRILLINGS D-SUB HD FEMALE 15-62pos. SOLDER PIN with threaded lock and spacer clip
dwg no:	AutoCAD 2000
part no:	SEE SHEET 1
DIN-A	3
sh:	2/2