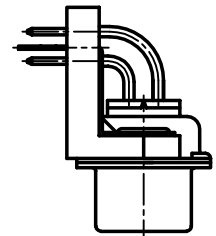
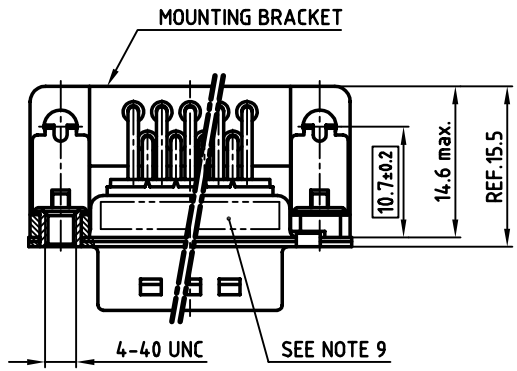
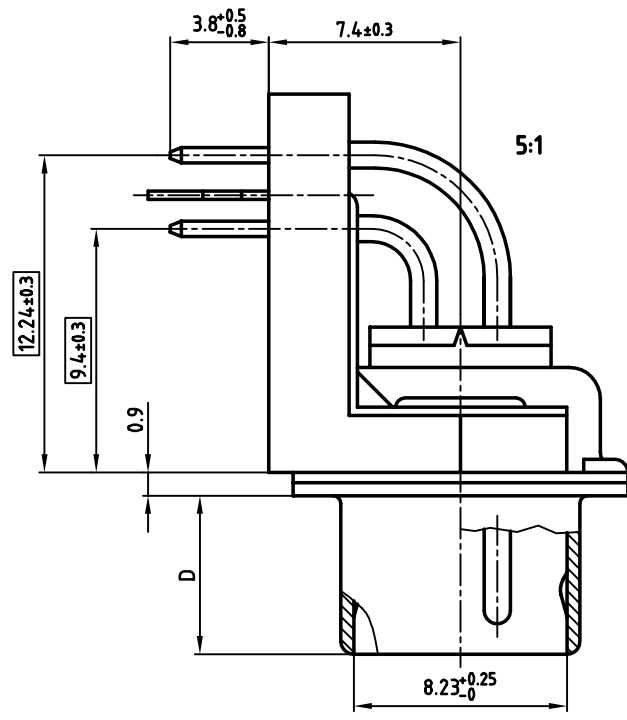
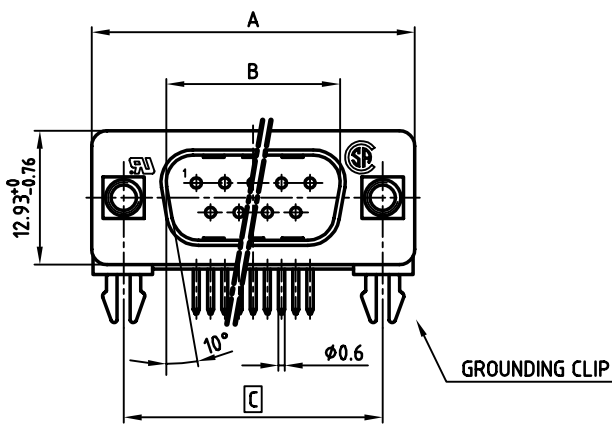


used for: D-SUB



Directive 2002/95/EC
"RoHS"
Compliant

| POS. | A -0.76 | B +0.25 | C | D -0.3 | PART NO. |
|------|---------|---------|---|--------|------------|
| 9 | 31.19 | 16.79 | 25.00 ^{+0.12} / _{-0.13} | 6.12 | 163A14489X |
| 15 | 39.52 | 25.12 | 33.30 ^{+0.15} / _{-0.1} | 6.12 | 163A14499X |
| 25 | 53.42 | 38.84 | 47.04 ±0.13 | 5.99 | 163A14509X |
| 37 | 69.70 | 55.30 | 63.50 ±0.13 | 5.99 | 163A14519X |

NOTES:

- METALSHELLS: STEEL; min. 320µ" TIN
- INSULATORS: PBT GF UL 94 V-0, BLACK
- CONTACTS: COPPER ALLOY
PLATING: min. 8µ" HARD GOLD OVER min. 50µ" NICKEL
- MOUNTING BRACKET: PBT GF UL 94 V-0, BLACK
- THREADED INSERT: COPPER ALLOY; min. 200µ" TIN over 80µ" NICKEL
- GROUNDING-CLIP: COPPER ALLOY; min. 200µ" TIN over 80µ" NICKEL
PCB-HOLE: $\phi 3.1 \pm 0.1$; PCB THICKNESS 1.6mm
- P.C.B. HOLE DRILLINGS ON SHEET 2
- MAXIMUM TORQUE VALUE FOR THREAD: 6" LBS
- CONNECTOR IS PART MARKED: PART-NO. CONEC Y/WW
- = CRITICAL DIMENSION

APPROVAL # FREIGABE # DEBLOCAGE # AUTORIZACION # APPROVAL

CUSTOMER APPROVAL DATE:

NAME: TITLE:

COMPANY NAME:

APPROVAL # FREIGABE # DEBLOCAGE # AUTORIZACION # APPROVAL

THIS DRAWING MAY NOT BE COPIED OR REPRODUCED IN ANY WAY, AND MAY NOT BE PASSED ON TO A THIRD PARTY, WITHOUT WRITTEN PERMISSION. OWNERSHIP AND COPYRIGHT OF CONEC GmbH DO NOT ALTER CAD DRAWING BY HAND

| rev. | description | date | name |
|------|-------------|------|------|
| | | | |
| | | | |
| | | | |
| | | | |
| | | | |

tolerance dim. in mm

scale: 2:1 (5:1)

material: SEE NOTES

title: **D-SUB MALE 90°**
9-37pos. 0.370inch
thread insert, mounting bracket, grounding clip

dwg no: AutoCAD 2000 DIN-A

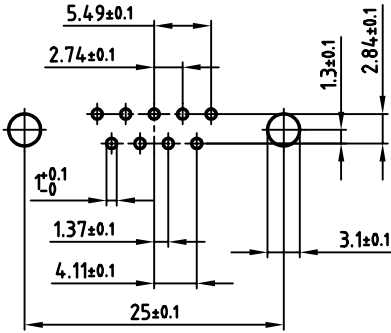
16K1A804

part no: SEE TABLE

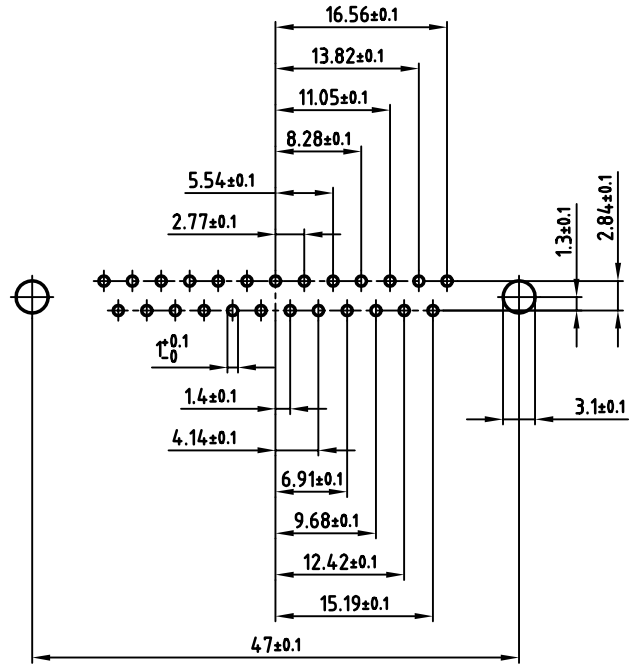
3 sh:1/2



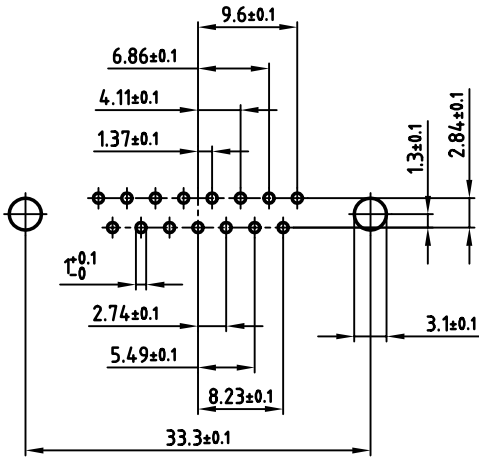
9 pos.



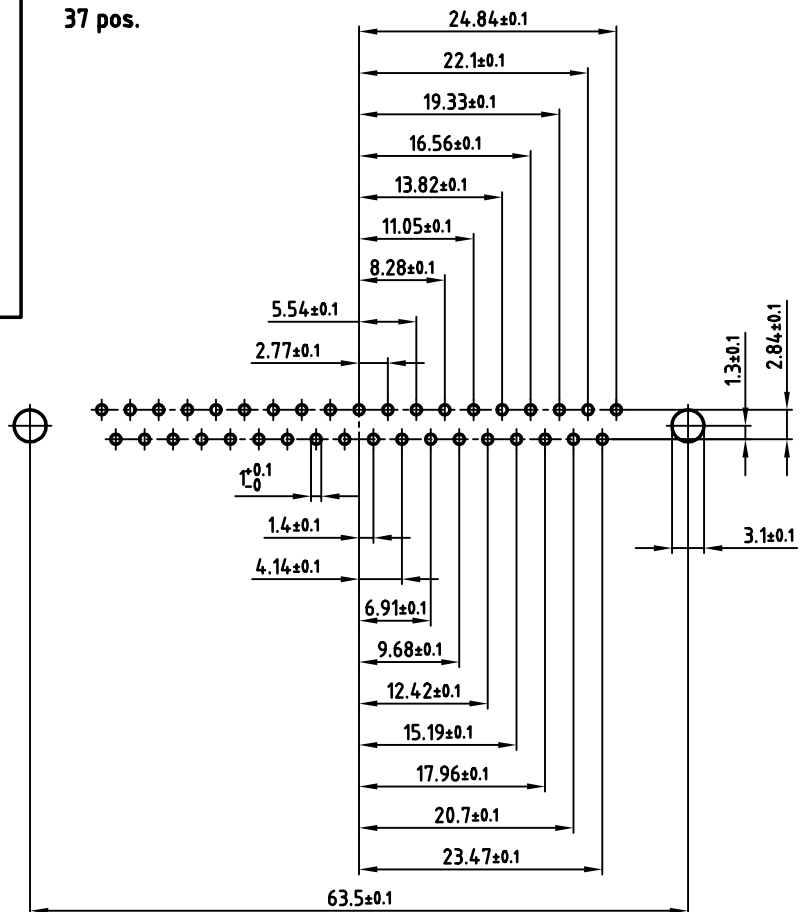
25 pos.



15 pos.



37 pos.



used for: D-SUB

| | |
|--|--------|
| APPROVAL # FREIGABE # DEBLOCAGE # AUTOR/ZACON # APPROVAL | |
| CUSTOMER APPROVAL DATE: | |
| NAME: | TITLE: |
| COMPANY NAME: | |
| APPROVAL # FREIGABE # DEBLOCAGE # AUTOR/ZACON # APPROVAL | |

THIS DRAWING MAY NOT BE COPIED OR REPRODUCED IN ANY WAY, AND MAY NOT BE PASSED ON TO A THIRD PARTY, WITHOUT WRITTEN PERMISSION. OWNERSHIP AND COPYRIGHT OF CONEC GmbH DO NOT ALTER CAD DRAWING BY HAND

| rev. | description | date | name |
|------|-------------|------|------|
| | | | |
| | | | |
| | | | |
| | | | |
| | | | |
| | | | |
| | | | |
| | | | |
| | | | |
| | | | |

tolerance ± 0.1 mm

dim. in mm

scale: 2:1

material: SEE SHEET 1

title: P.C.B. HOLE DRILLINGS
D-SUB MALE 90° 9-37pos. 0.370inch
thread insert, mounting bracket, grounding clip

dwg no: AutoCAD 2000 DIN-A
16K1A804 3 sh:2/2

part no: SEE SHEET 1

CONEC

| | | |
|-------|-----------|-------|
| 2002 | date | name |
| drawn | 21.11. | Parei |
| appd. | 22.11. | Kühle |
| norm | DIN 41652 | |
| d-old | | |