

D-SUB STANDARD

Crimp Contacts – Machined or stamped – For wire size AWG 24...20 and AWG 28...24

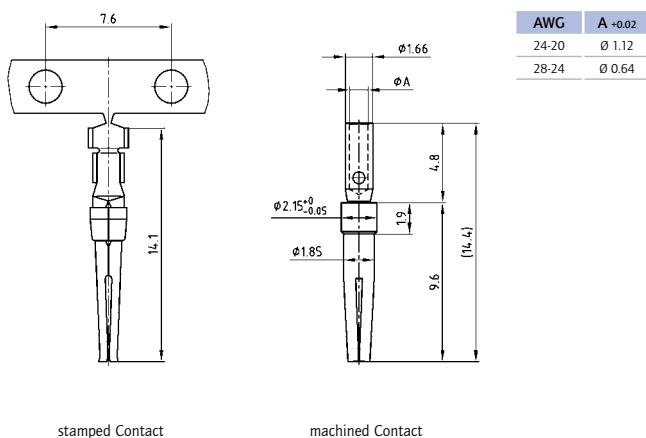


RoHS compliant – CSA listed, File No.: LR 115000-1 – UL listed, File No.: E202784

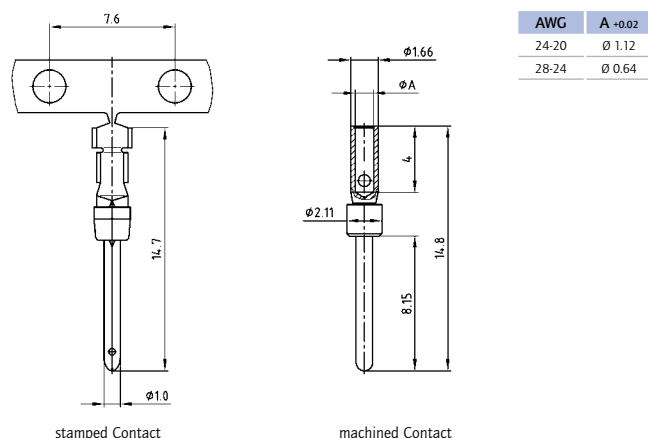
DESCRIPTION

- For wire size **AWG 24...20** and **AWG 28...24**
- Stamped contacts with reel length of 500 or 10,000 contacts
- Loose contacts, machined and stamped, in poly bag (500 pieces)
- Quality class 3 (also available in quality class 1)

FEMALE CONTACT



MALE CONTACT



Technical Data

| | |
|--|-------------------------|
| Contact material Precision machined contacts | Brass |
| Contact material Stamped contacts | Phosphor bronze |
| Contact plating Precision machined contacts | Gold plated over nickel |
| Contact plating Stamped contacts | Selective gold plated |
| Temperature range | -55°C to +125°C |
| Rated current for AWG 24...20 | 7.5 A |
| Rated current for AWG 28...24 | 5 A |
| Contact resistance | ≤ 10 mΩ |

ORDER DATA

FEMALE CONTACTS

| Contact type / AWG | Part Number |
|---|---------------|
| Stamped / 24...20 / Big reel wheeled left (10.000) | 162 A 11819 X |
| Stamped / 24...20 / Big reel wheeled right (10.000) | 162 A 11829 X |
| Stamped / 24...20 / Small reel wheeled right (500) | 162 A 11839 X |
| Stamped / 24...20 / Loose contacts (500) | 162 A 11849 X |
| Machined / 24...20 / Loose contacts (500) | 162 A 18709 X |
| Stamped / 28...24 / Big reel wheeled left (10.000) | 162 A 11859 X |
| Stamped / 28...24 / Big reel wheeled right (10.000) | 162 A 11869 X |
| Stamped / 28...24 / small reel wheeled right (500) | 162 A 11879 X |
| Stamped / 28...24 / Loose contacts (500) | 162 A 11889 X |
| Machined / 28...24 / Loose contacts (500) | 162 A 18719 X |

MALE CONTACTS

| Contact type / AWG | Part Number |
|---|---------------|
| Stamped / 24...20 / Big reel wheeled left (10.000) | 161 A 13369 X |
| Stamped / 24...20 / Big reel wheeled right (10.000) | 161 A 13379 X |
| Stamped / 24...20 / Small reel wheeled right (500) | 161 A 13389 X |
| Stamped / 24...20 / Loose contacts (500) | 161 A 13399 X |
| Machined / 24...20 / Loose contacts (500) | 161 A 18299 X |
| Stamped / 28...24 / Big reel wheeled left (10.000) | 161 A 13409 X |
| Stamped / 28...24 / Big reel wheeled right (10.000) | 161 A 13419 X |
| Stamped / 28...24 / Small reel wheeled right (500) | 161 A 13429 X |
| Stamped / 28...24 / Loose contacts (500) | 161 A 13439 X |
| Machined / 28...24 / Loose contacts (500) | 161 A 18309 X |