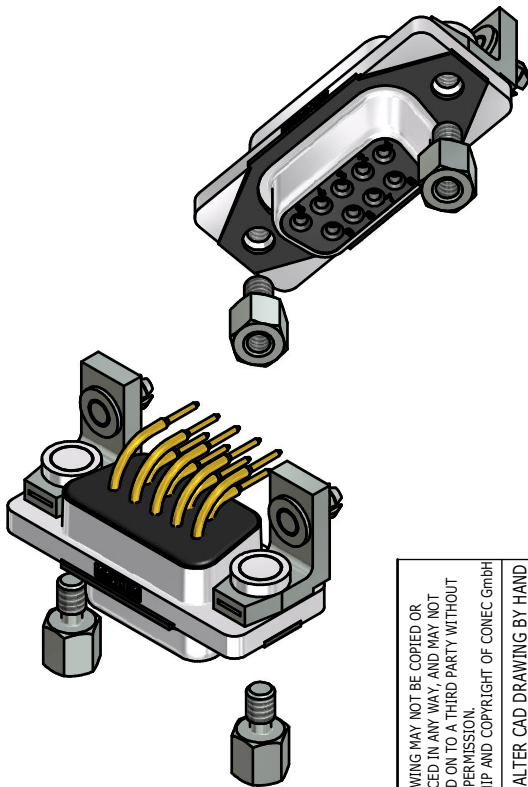
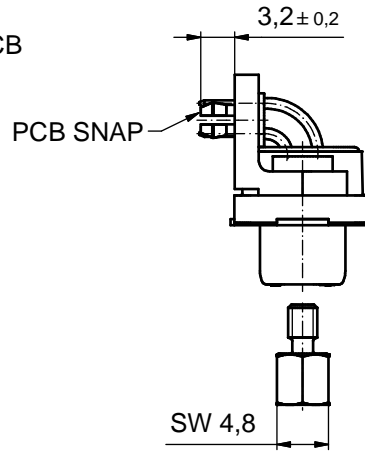
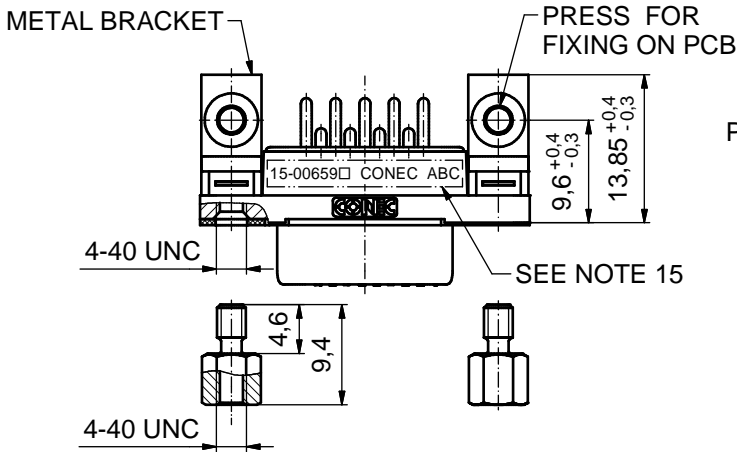
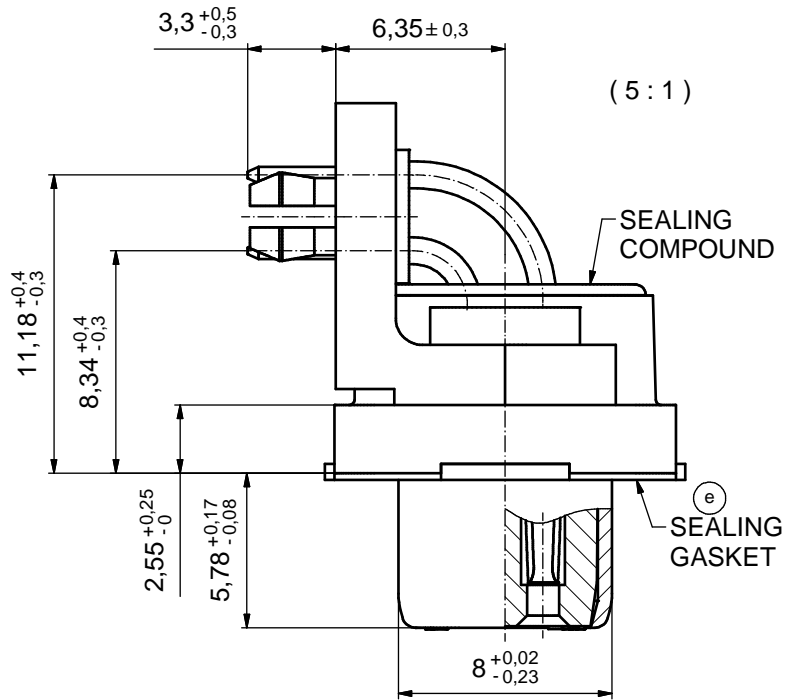
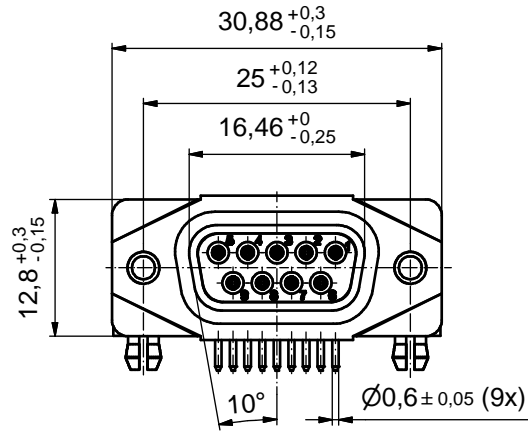


AT ALL TIMES WATER RESISTANT CONNECTORS NOT IN USE SHOULD BE COVERED WITH A CONEC WATER RESISTANT CAP OR WATER TIGHT HOOD.



RoHS compliant

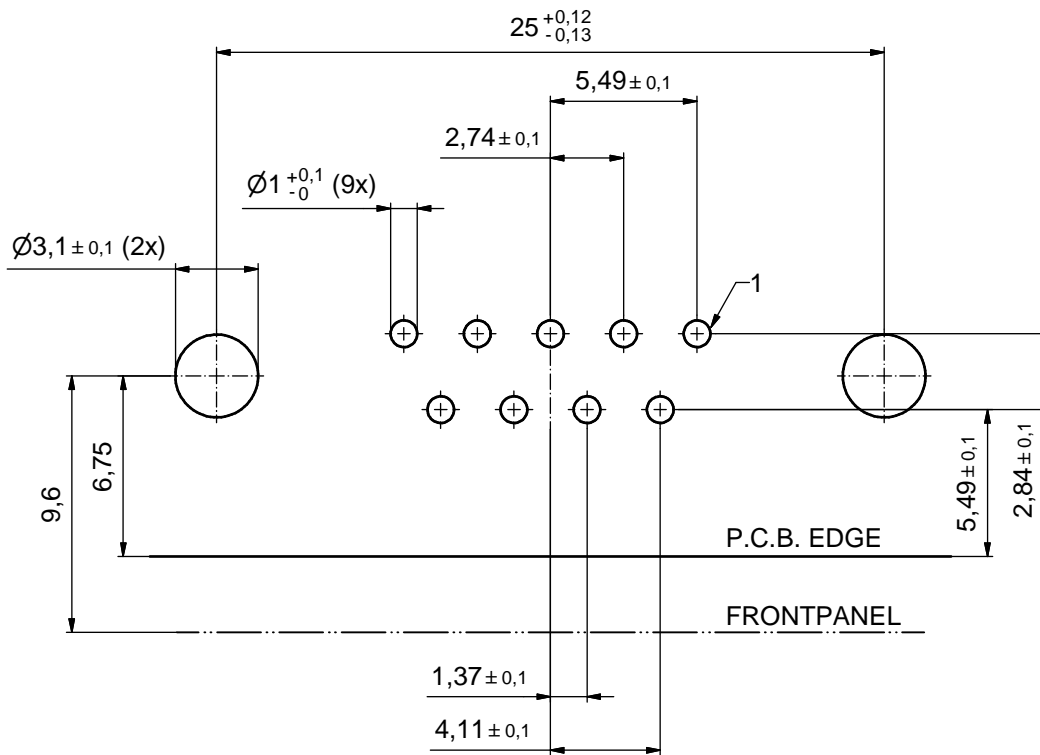
NOTES:

- FOR WAVESOLDERING (SOLDER BATH TEMPERATURE 265°C FOR 8 SEC. AND SOLDER PREHEAT 150°C FOR 180 SEC.)
- IP RATING: IP 67
- SEALED TO WITHSTAND PRESSURE UP TO 1,45 PSI FOR 30 MINUTES AFTER HIGH TEMPERATURE EXPOSURE
- METAL SHELL: ZINC DIE CAST; min. 50µin NICKEL PLATING over COPPER
- INSULATORS: PBT GF UL 94 V-0
- SEALING GASKET: SILICONE
- SEALING COMPOUND: EPOXY
- CONTACTS: COPPER ALLOY PLATING (SEE PART NO.): □ PLEASE ADD 1 for 30µin HARD GOLD over min. 50µin NICKEL □ PLEASE ADD 3 for GOLD FLASH over NICKEL
- METAL BRACKETS: ZINC DIE CAST; 300µin COPPER/40-120µin NICKEL/120-200µin TIN
- WASHERS: COPPER ALLOY; 80µin NICKEL
- HEXLOCKING SCREWS: STAINLESS STEEL
- PCB-SNAPS: COPPER ALLOY; min. 200µin TIN over 80µin NICKEL PCB-HOLE: $\varnothing 3,1 \pm 0,1$ mm; PCB THICKNESS 1,6mm
- P.C.B. HOLE DRILLINGS and RECOMMENDED PANEL CUT-OUT ON SHEET 2
- RECOMMENDED TORQUE FOR MOUNTING SCREW 35Ncm (3.1 in.LB) / max. 67Ncm (6 in.LB)
- CONNECTOR IS PART MARKED: 15-00659 □ CONEC ABC (see note 8)

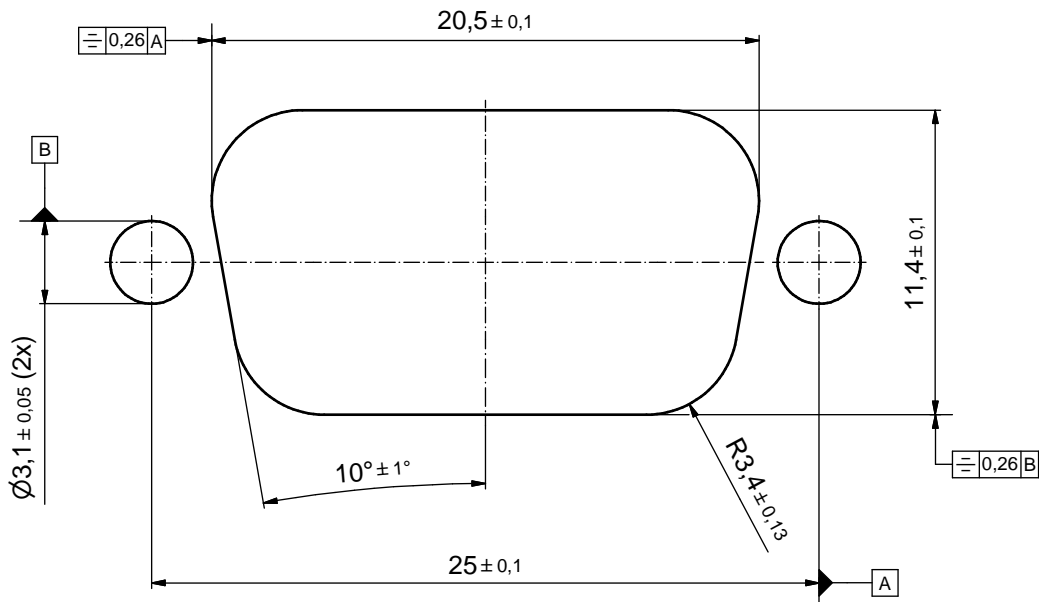
THIS DRAWING MAY NOT BE COPIED OR REPRODUCED IN ANY WAY, AND MAY NOT BE PASSED ON TO A THIRD PARTY WITHOUT WRITTEN PERMISSION. OWNERSHIP AND COPYRIGHT OF CONEC GmbH				tolerance		dim. in mm	scale:	2:1 (5:1)
							material:	SEE NOTES
DO NOT ALTER CAD DRAWING BY HAND				date	name	title: D-SUB FEMALE 90° 9pos. SOLDER PIN ANGLED with closed 4-40 UNC thread, metal bracket, snap		
				drawn	29.09.14			
2 x e	Ä6417	26.06.17	LU.	appd.	26.01.15	Fischer	dwg no: 15K1A1554	
2 x d	Ä5827	25.09.15	LU.	norm				
2 x c	Ä5800	04.09.15	M.H.	d-old			part no: 15-00659 □ (see note 8)	
4 x b	Ä5793	02.09.15	K.H.					
a	Original							DIN-A3
rev. description date name				CONEC				sh: 1

P.C.B. HOLE DRILLINGS

(P.C.B. TOP SIDE)



RECOMMENDED PANEL CUT-OUT



THIS DRAWING MAY NOT BE COPIED OR REPRODUCED IN ANY WAY, AND MAY NOT BE PASSED ON TO A THIRD PARTY WITHOUT WRITTEN PERMISSION. OWNERSHIP AND COPYRIGHT OF CONEC GmbH DO NOT ALTER CAD DRAWING BY HAND	tolerance		dim. in mm	scale: 4:1	
				material: SEE SHEET 1	
	rev.	description	date	name	title:
			drawn 29.09.14		P.C.B. HOLE DRILLINGS RECOMMENDED PANEL CUT-OUT D-SUB Female 90° 9pos. Solder pin angled
			appd. 26.01.15	Fischer	
		norm			
		d-old		dwg no:	
				15K1A1554	
				part no: SEE SHEET 1	
				DIN-A3	
				sh: 2	

